

AMTRON® PROFESSIONAL+ E

WALLBOX FOR ELECTRIC VEHICLES



MENNEKES AMTRON® designed for private and semi-public use

Variants

	3G / 4G modem
LAN (RJ45)	LAN (RJ45)
MID energy meter	MID energy meter
RFID system	RFID system
DC leakage detection	DC leakage detection
LED status display	LED status display

AMTRON Professional E

AMTRON Professional+ E

Charging socket type 2 with hinged lid			
	Order no.		Order no.
7,4 / 22 kW	1374402	7,4 / 22 kW	1376402
7,5 meter permanently connected charging cable with connector type 2 (version „C2“)			
	Order no.		Order no.
7,4 / 22 kW	1374202	7,4 / 22 kW	1376202

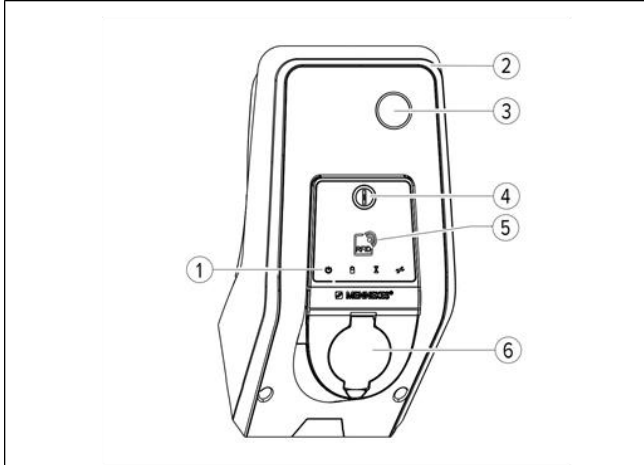


Product features

- Overall
 - Mode 3 charging acc. to IEC 61851
 - Vehicle connectors and charging socket acc. to IEC 62196
 - Charging power up to 7,4 kW (1ph) / 22kW (3ph)
 - MID certified energy meter
 - Unlocking function in case of grid failure (for devices with charging socket type 2)
 - Status information through LED info bar
 - Integrated cable suspension
 - Welding detection: two additional terminals for controlling an externally installed shunt opening release, which can disconnect the charging point in case of a fault (welding contactor).
This function is only needed in certain countries.
- Authorisation via a backend system or RFID card (ISO 14443A / MIFARE classic and MIFARE DESFire)
- Communication
 - Locally networkable via LAN (RJ45)
 - Backend connection with optional integrated mobile radio (Micro-SIM, 3G (UMTS) / 4G (LTE)) or locally internet (LAN)
 - Compatible with OCPP 1.5s and OCPP 1.6s+j
 - Backend connection for up to 50 charging points over one SIM card
- Load management
 - Dynamic and phase-accurate load management for up to 100 charging points
 - Connection of an external MODBUS TCP energy meter for the local blackout protection
- Protection device
 - DC leakage detection > 6mA
- Enclosure
 - Enclosure made of AMELAN®

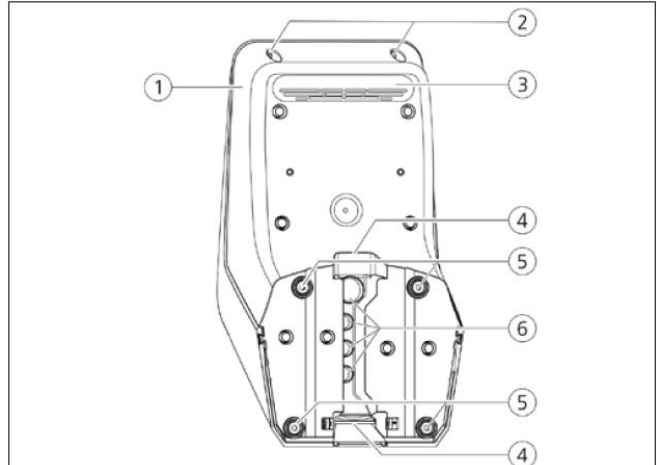
Assembly

Front view



1. LED info bar
2. Upper enclosure section
3. Inspection window for energy meter
4. Multifunction button (without function)
5. RFID card reader
6. Charging socket type 2 ¹⁾

Rear view



1. Lower enclosure part
2. Fastening screws for upper housing part
3. Passive ventilation
4. Recess for supply line/ cable duct
5. Fastening holes
6. Cable entries

¹⁾ depending on the variant

Compatible energy meters for blackout protection

MENNEKES recommends the use of the following devices:

Siemens PAC 2200:

- Indirect measurement via a transformer (5 A):
 - 7KM2200-2EA30-1JA1 (with MID-certification)
 - 7KM2200-2EA30-1EA1 (without MID-certification)
- Direct measurement (up to 65 A):
 - 7KM2200-2EA40-1JA1 (with MID-certification)
 - 7KM2200-2EA40-1EA1 (without MID-certification)

Phoenix EEM-MB371-EIP 2907976:

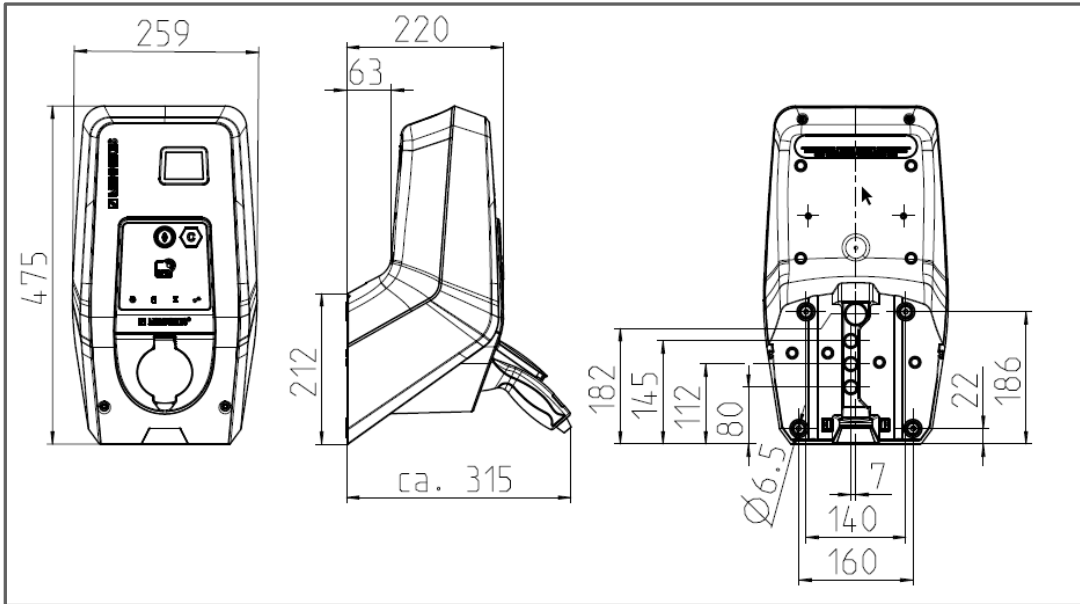
This energy meter also allows a direct connection of Rogowski coils.

Technical data

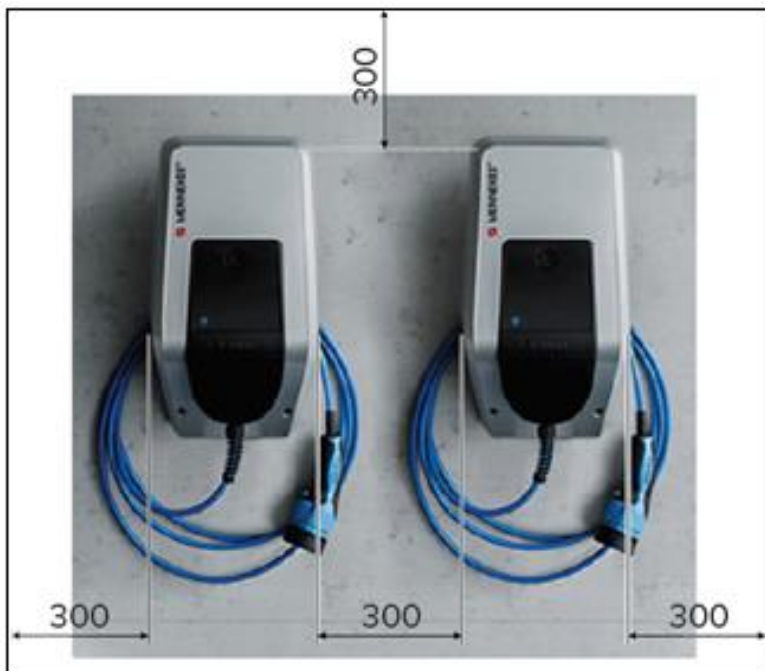
Type-dependent data		Professional+ E
Rated voltage U_N [V] AC $\pm 10\%$		400
Rated frequency f_N [Hz]		50
Rated Current I_{nA} [A]		32
Max. backup fuse [A]		32
Max. charging capacity mode 3 [kW]		7,4 / 22
Rated current of charging point mode 3 I_{nc} [A]		32 - 1 / 3ph
Terminal strip supply line	Nominal cross section	10 mm ²
	Rated cross section	rigid 5 x 10 mm ² flexible 5 x 6 mm ²
	Tightening torque	max. 1,8 Nm
Rated insulation voltage U_i [V]		500
Rated impulse withstand voltage U_{imp} [kV]		4
Rated short circuit current I_{cc} [kA]		10
Rated diversity factor RDF		1
Earth system		TN / TT
EMC classification		A+B
Protection class		II
Degree of protection		IP 44: Permanently attached charging cable P 54: Charging socket type 2 with hinged lid
Overvoltage category		III
Resistance to mechanical impact		IK 10
Pollution degree		3
Setting up		Indoor or outdoor
Condition of installation		Stationary equipment
Usage		ACSEV
Mounting method		Wall mounted
Dimensions H x W x D [mm]		475 x 259 x 220
Weight [kg]		7 - 11
Control fuse (MCB)		6A, 2p, characteristic B
Standard		DIN EN 61851-1, DIN IEC / TS 61439-7

Environmental conditions	
Ambient air temperature	-25...+40 °C
Average temperature within 24 hours	< 35 °C
Altitude	Max. 2000m above sea level
Relative humidity	Max. 95 % (non-condensing)

Dimensions [mm]



Mounting distance [mm]



MENNEKES

Elektrotechnik GmbH & Co. KG

Aloys-Mennekes-Straße 1
57399 KIRCHHUNDEM
GERMANY

info@MENNEKES.de

www.MENNEKES.de

www.chargeupyourday.de